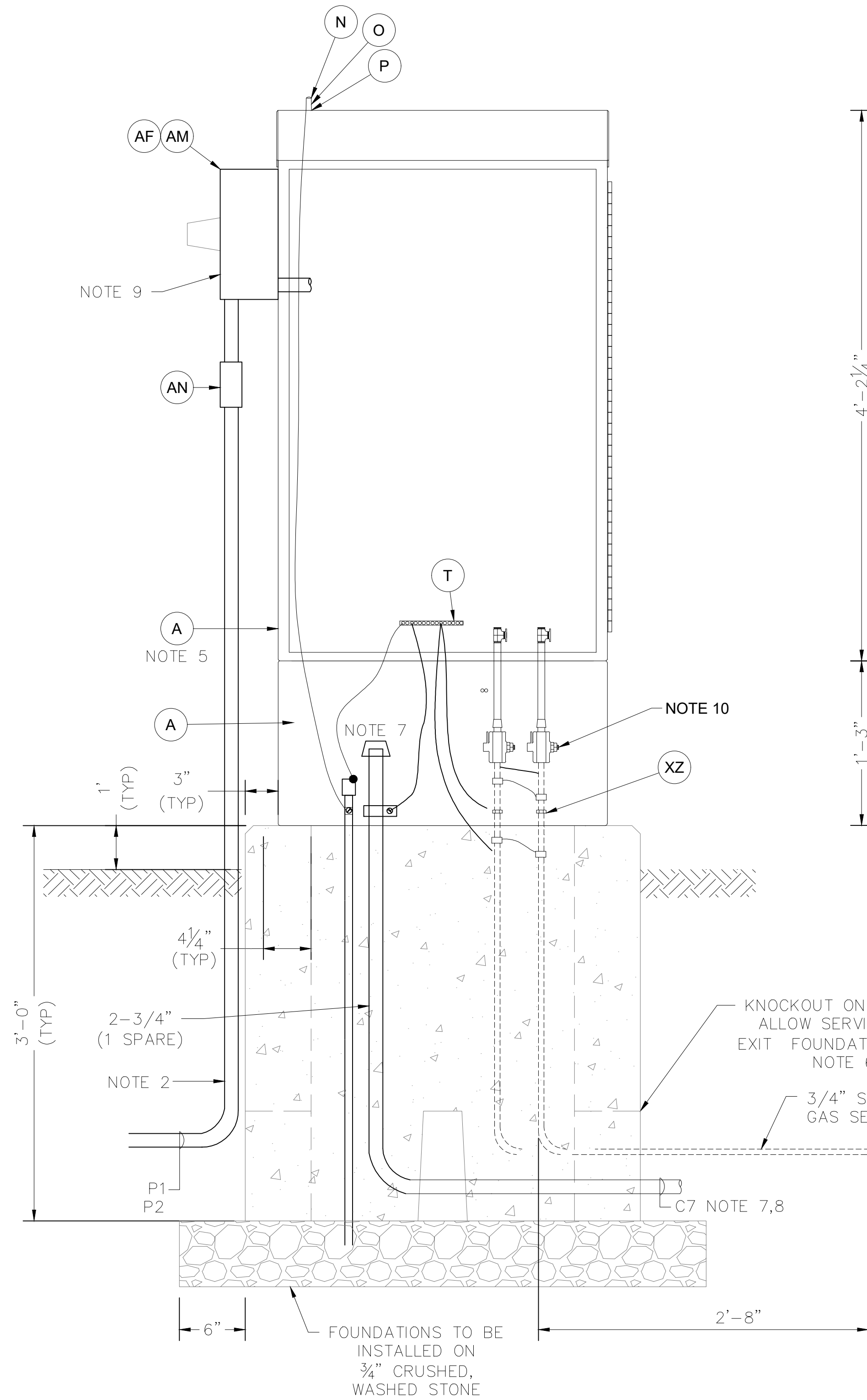
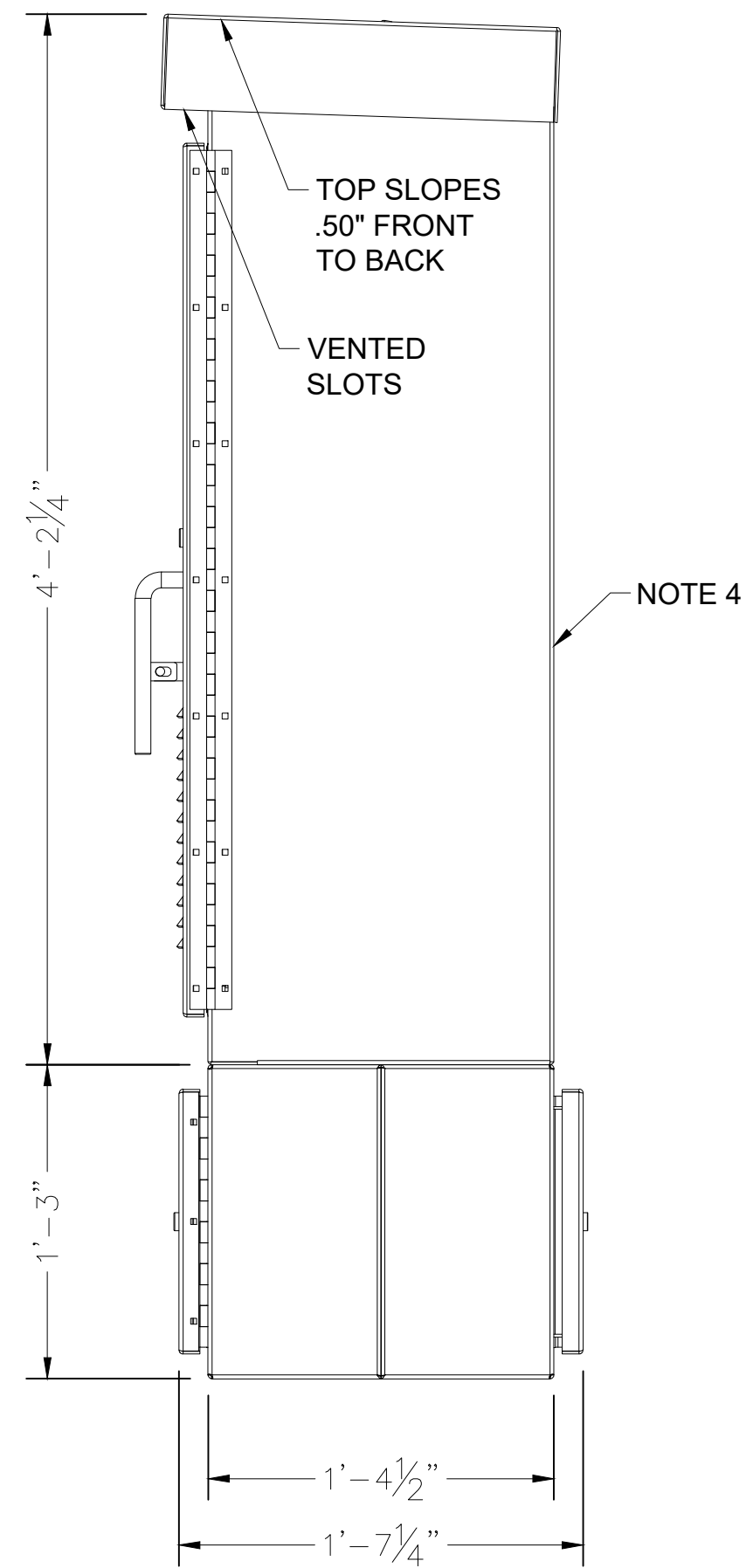


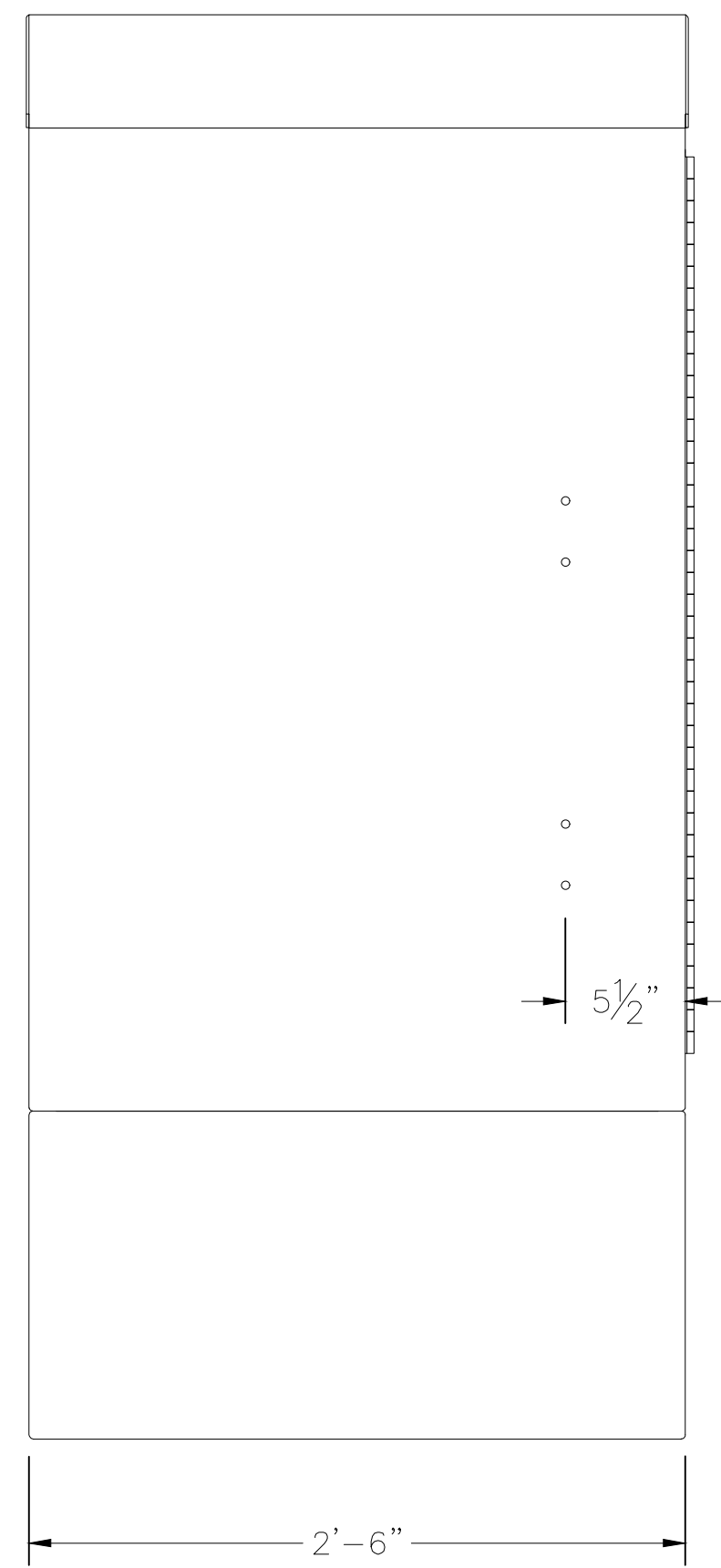
T:\Project\Folders\190 Eversource\190-92 Telemetry Dual Cabinet\190-92.03 - EGMA Telemetry Box Drawings\DWG's



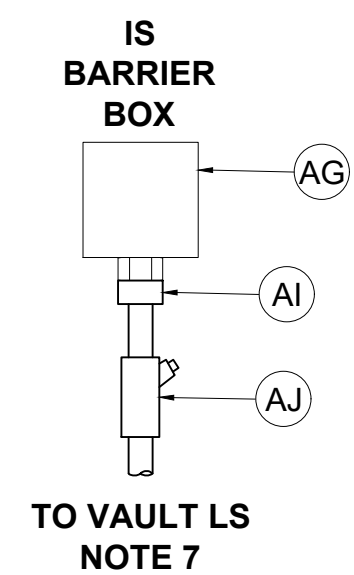
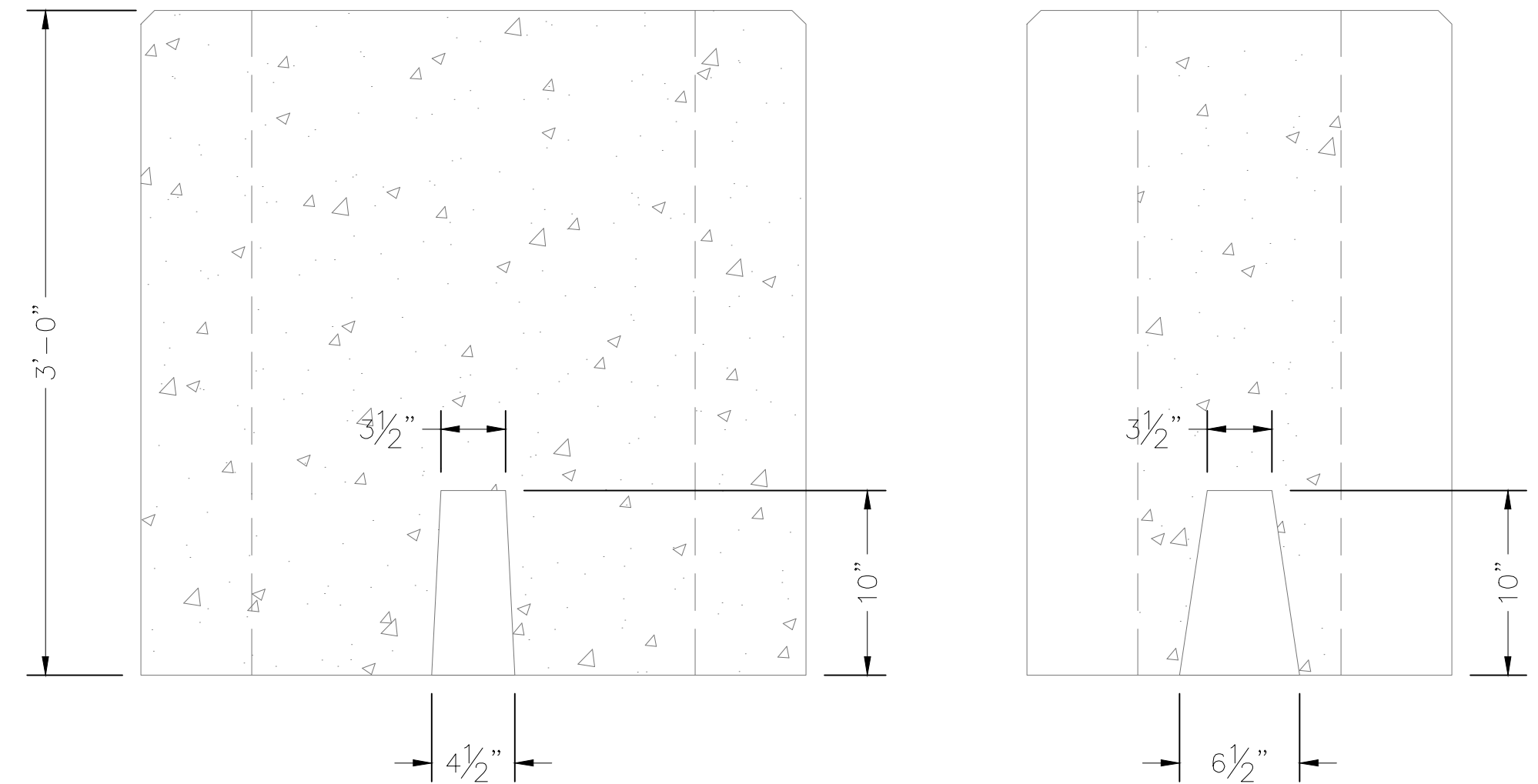
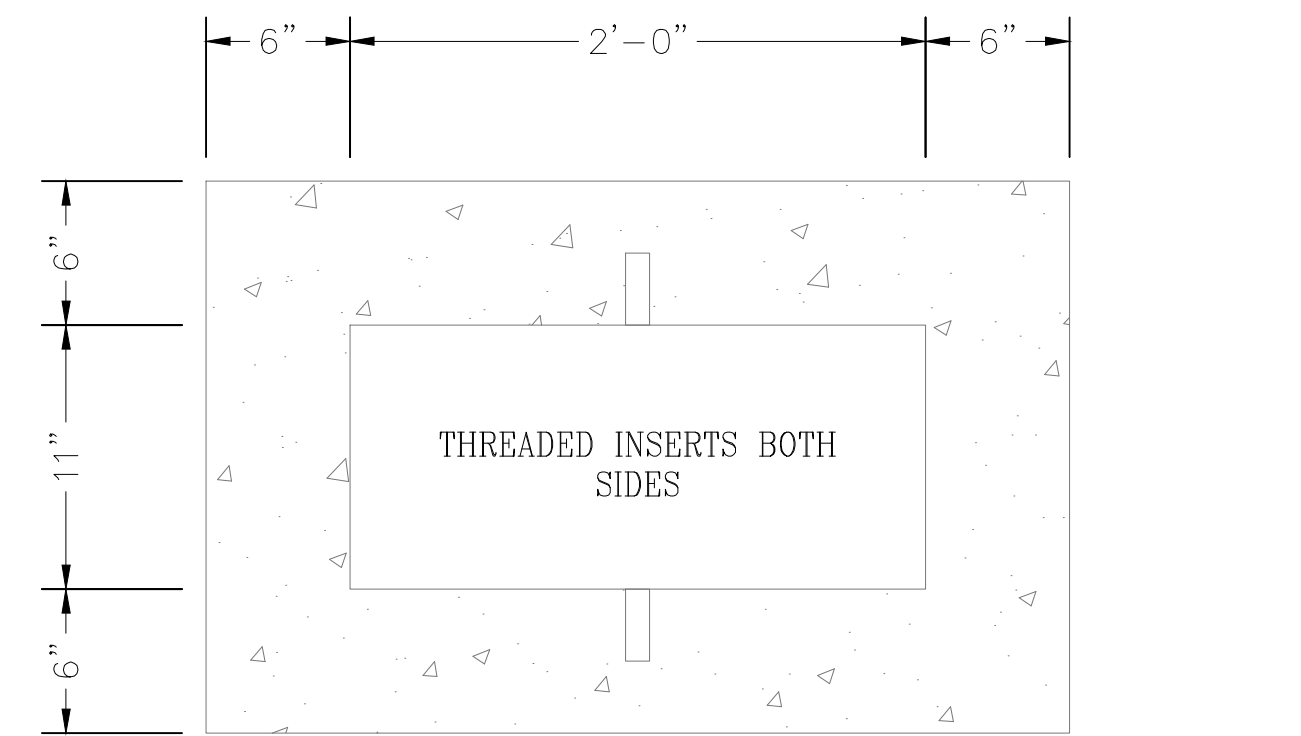
ENCLOSURE ELEVATION VIEW



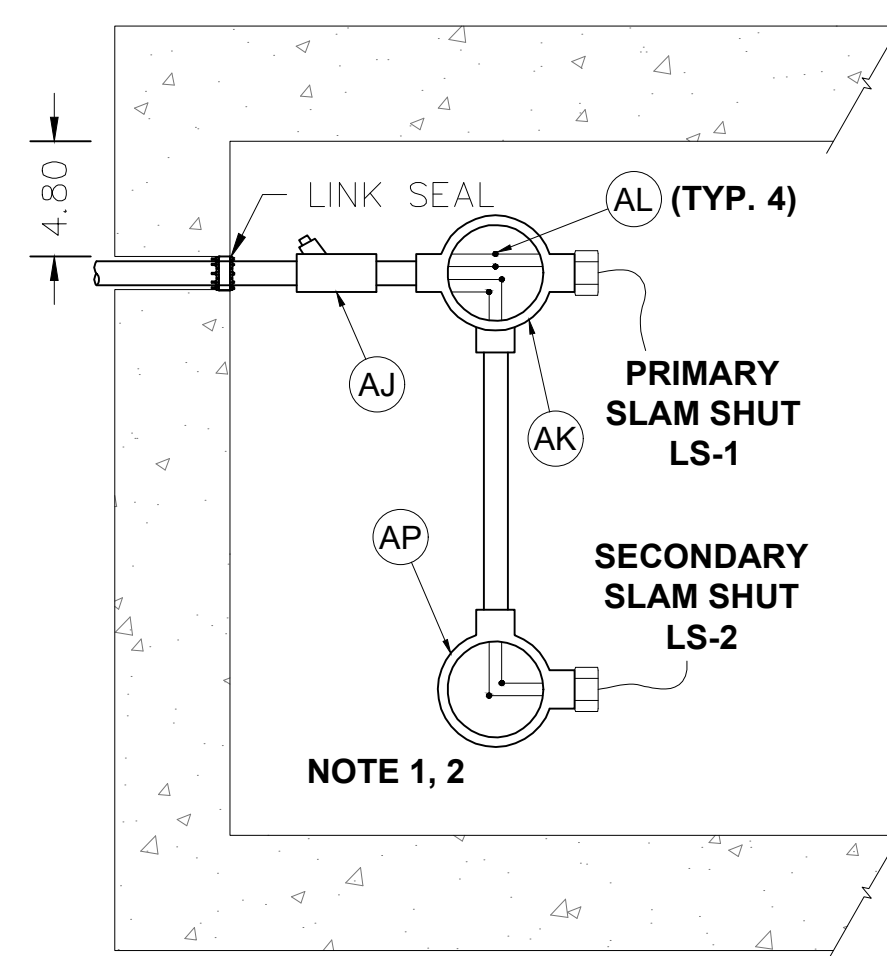
RIGHT OUTSIDE VIEW



FRONT INSIDE CUT-OUT DETAIL



INTRINSIC BARRIER DETAIL (IF REQUIRED)

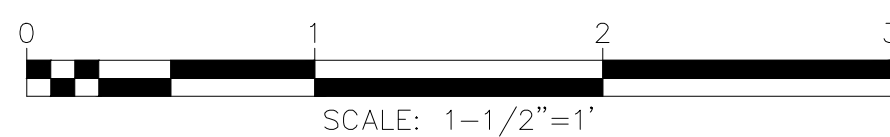


VAULT DETAIL (IF REQUIRED)

ISSUED FOR CONSTRUCTION

NOTES:

1. EFV TO BE INSTALLED PER MANUFACTURERS REQUIREMENTS. EFV SHALL BE PROPERLY SIZED FOR APPLICATION PER EVERSOURCE STANDARDS AND MANUFACTURERS REQUIREMENTS.
2. SERVICE CONNECTION TO CABINET SHALL BE IN ACCORDANCE WITH NFPA 70, THE REQUIREMENT OF THE LOCAL UTILITY AND THE AUTHORITY HAVING JURISDICTION (AHJ). IF A METER IS REQUIRED, IT SHALL BE LOCATED EXTERNAL TO THE CABINET .
3. AN EFV WILL BE INSTALLED ON EACH GAS LINE TO A TRANSMITTER OR SETPOINT CONTROLLER.
4. EQUIPMENT SHALL BE MOUNTED NEAT AND PLUMB.
5. INSTALL STANDOFFS TO THE BACK PLANE OF EACH CABINET.
6. ALL BELOW GRADE OPENINGS IN POLL BOX SHALL BE PARGED WITH CONCRETE.
7. 3/4" RMC-PC TO INTRINSIC FAIL SAFE LIMIT SWITCHES IN VAULT - CAP IF NOT NEEDED.
8. MARK CONDUIT AT 18" INTERVALS WITH 1 BAND BLUE SCOTCH 35 MARKING TAPE.
9. METER TROUGH & CIRCUIT BREAKER SHALL BE BY ELECTRICAL CONTRACTOR, METER BY UTILITY.
10. MOUNT AS LOW AS POSSIBLE IN LOWER CABINET (ALL EYS CONNECTORS).



TRI-MONT Engineering Company
Plymouth, MA.

FIELD VERIFY DIMENSIONS PRIOR TO PIPE FABRICATION

| No. | Description | Date | Dw/Ck/Ap |
|-----|-------------------------|----------|-------------|
| 1 | INCORPORATED COMMENTS | 04/09/21 | DBF/MPL/EPJ |
| 0 | ISSUED FOR CONSTRUCTION | 03/26/21 | ARZ/MPL/EPJ |

Revision/Status

EVERSOURCE
ENERGY

EGMA END POINT TELEMETER
ENCLOSURE DETAIL

SCALE: 1-1/2" = 1' SHEET 2 OF 10

| | | | |
|-----------------------------------|-------------------------------------|---------------------------------|---------------|
| Drawn by / Date ARZ / 03/23/21 | Checked by / Date MPL / 03/23/21 | Sheet Number D-190-92.03-M01 | Rev. No. 1 |
|-----------------------------------|-------------------------------------|---------------------------------|---------------|